

KALLER[®]

USER'S GUIDE GAS SPRING FORCE TEST RIG

Digital Force Test Rig

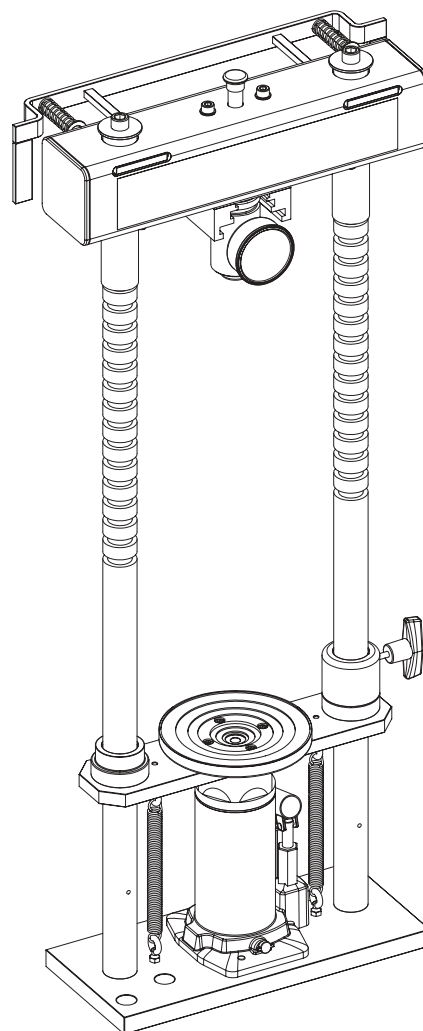
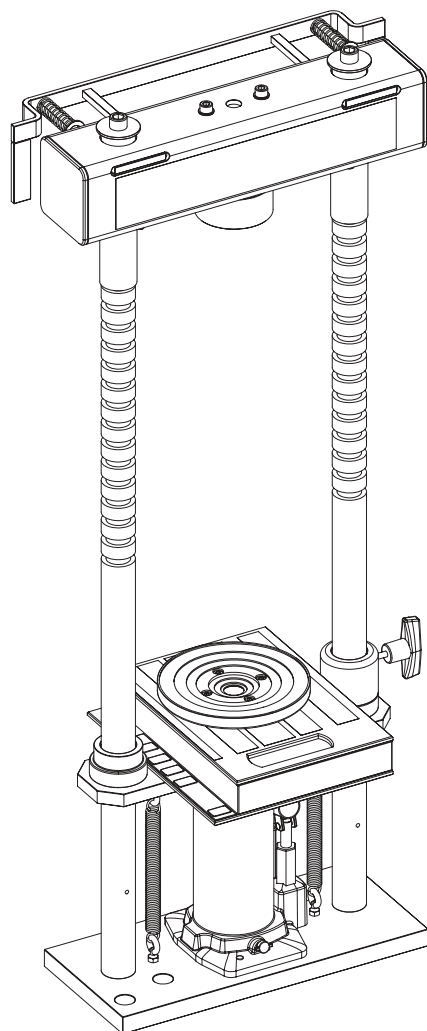
1016713-1100 (FIBRO 2480.00.35.03)

1016713-1330 (FIBRO 2480.00.35.031)

Analogue Force Test Rig

1016714-1100 (FIBRO 2480.00.35.02)

1016714-1330 (FIBRO 2480.00.35.021)



 **STRÖMSHOLMEN**

Box 216, 573 23 Tranås, Sweden
Tel +46 140 571 00, Telefax +46-140-571 99
www.kaller.com

This guide applies to Force Test Rigs:

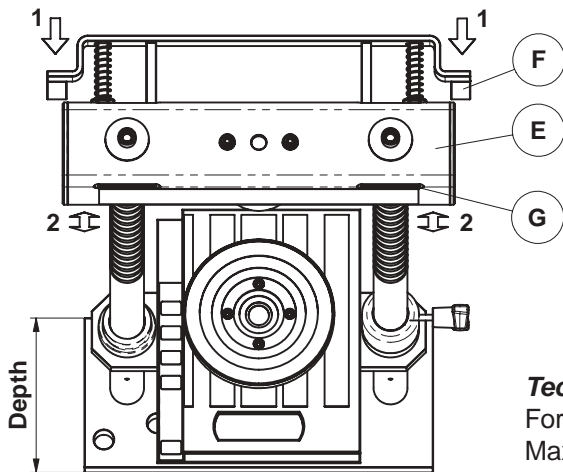
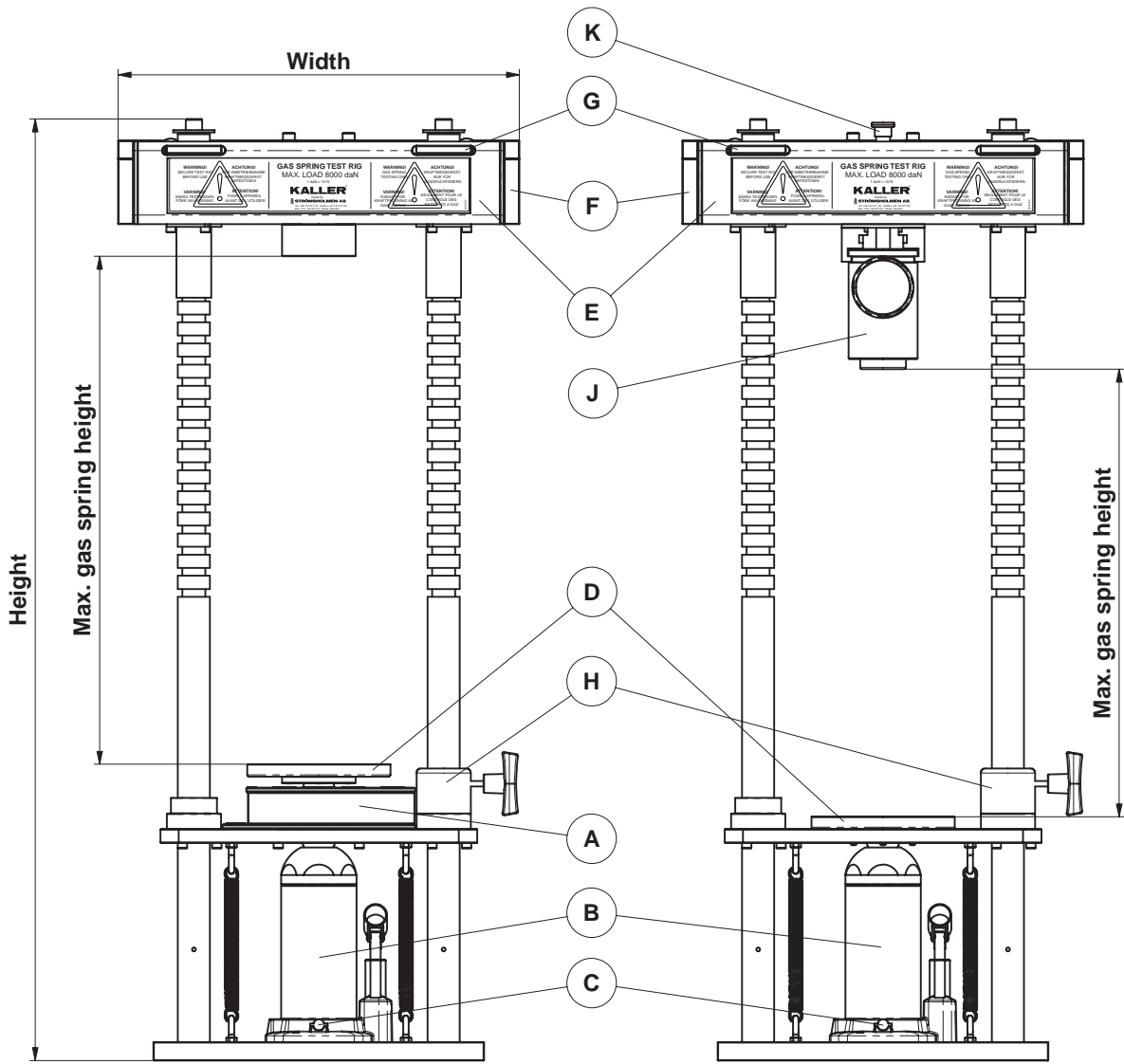
- ❑ 1016713-1100 (Digital)
1016713-1330
- ❑ 1016714-1100 (Analogue)
1016714-1330

Securing the Force Test Rig

The Force Test Rig should first be rigidly secured to a flat, horizontal surface before any attempt is made to use it. We recommend the drilled holes in the bottom plate be used for this purpose.

Operating instructions

- 1) For digital models 1016713-1100/-1330 switch on the Weighing Block (A) by pressing the ON-button.
 - 2) For analogue models 1016714-1100/-1330 make sure the correct force meter (J) is installed. If not, change to the correct force meter. Lifting up the locking pin (K) will loosen the force meter. After installing a new force meter make sure the locking pin is locked back into position.
 - 3) The bottle jack (B) should be set at its lowest position. To do this open the valve (C) in an anticlockwise direction until the jack reaches its bottom, then tightly close the valve in a clockwise direction.
 - 4) Place the gas spring, which is to be tested, in the middle of the lower plate marked with concentric rings (D). The gas spring should sit perfectly upright with its base parallel to the lower plate. If using a digital model, reset the Weighing Block to zero by pressing the ZERO-button.
 - 5) Adjust the upper assembly (E) to a position that will allow for a small gap to be maintained between gas spring and upper assembly. Do this by holding the upper assembly with both hands, squeeze release handle (F) towards you (see arrows marked with "1"). Adjust the upper assembly to the desired height (see arrows marked with "2") and let go of the release handle.
 - 6) Make sure the upper assembly is seated correctly.
IMPORTANT! The locking plates (G) should be flush with the front of the upper assembly.
 - 7) Raise the gas spring to meet the upper assembly by steadily pumping the arm on the bottle jack. Just as the gas spring makes contact with the upper assembly, stop pumping the arm.
 - 8) Compress the gas spring by approximately 2 mm, the adjustable sleeve (H) can be used to set the displacement. Wait for the measuring device (analogue or digital) to give a stable reading before reading off the force (this can a few seconds depending on the spring size).
 - 9) To remove the gas spring lower the bottle jack to its lowest position by opening the valve. Do not forget to tightly close the valve after the bottle jack has reached its lowest position.
 - 10) Digital Weighing Blocks have an built-in Auto-power-off that will automatically switch off the unit after 2 minutes.
-



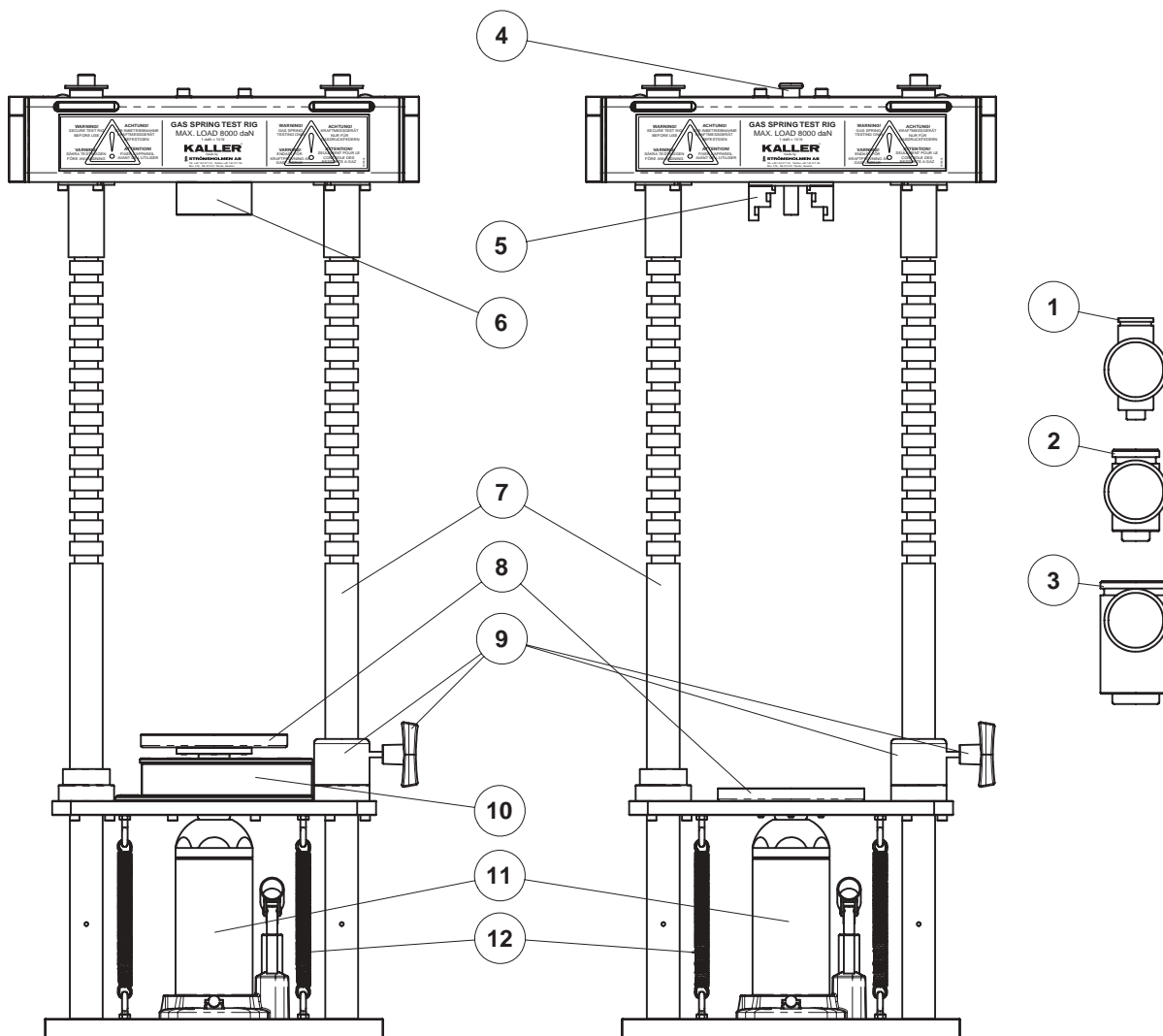
Technical Specifications

For gas springs with outer diameter	50, 75, 95, 120 & 150 mm
Max. load	8000 daN
Max. compression	50 mm
Max. gas spring height	530 mm (1016713-1100)
	760 mm (1016713-1330)
	460 mm (1016714-1100)
	700 mm (1016714-1330)

Overall Force Test Rig dimensions

Height	1030 mm (-1100)
	1280 mm (-1330)
Width	437 mm
Depth	260 mm (1016713)
	200 mm (1016714)
Weight	approx. 50 kg

Force Test Rig replacement parts list



Digital Force Test Rig
1016713-1100
1016713-1330

Analogue Force Test Rig
1016714-1100
1016714-1330

Pos.	Description	Analogue	Digital
1	Force meter 300 daN	3016745	-
2	Force meter 1750 daN	3016746	-
3	Force meter 8000 daN	3016747	-
4	Locking pin	4016689	-
5	Upper housing (analogue)	3017235	-
6	Press plate (digital)	-	4015771
7	Test rig	1016789	1016789
8	Gas spring seat	2016720	2016720
9	Sleeve T-handle	4016726 502241	4016726 502241
10	Digitalt weighing block	-	2016759
11	Bottle jack	4017004	4017004
12	Jack return spring	503051	503051