

FCSC Flange

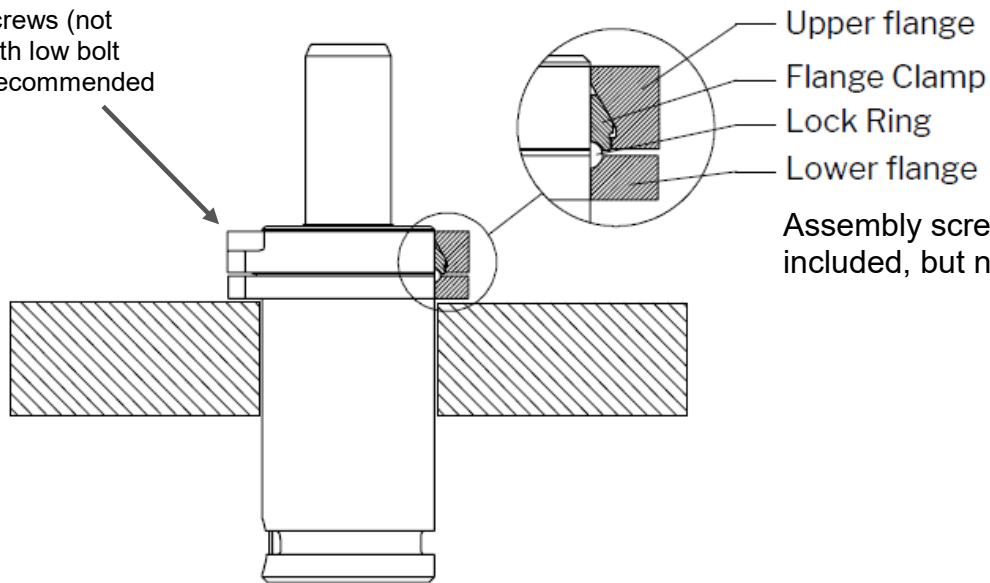
Sizes

FCSC-500, FCSC-750
FCSCX-1500, FCSC-1500,
FCSC-3000, FCSC-5000,
FCSC-7500



Parts

Mounting screws (not included) with low bolt heads are recommended



Assembly screws are included, but not shown here

Assembly Instructions

Before mounting make sure that:

- The flange clamp is correctly mounted in the upper flange
- The assembly screws are tightened before the spring is mounted
- The mounting screws are chosen according to the table below

Mounting:

- Tighten the mounting screws crosswise in at least 5 steps

Size	Mounting Screw Thread Size (4x)	Mounting Screw Torque [Nm]
FCSC-500	M8	25
FCSC-750	M8	25
FCSCX-1500	M10	50
FCSC-1500	M10	50
FCSC-3000	M12	90
FCSC-5000	M12	90
FCSC-7500	M16	160