

KALLER Dual Post Lifter (DPL)

DPL 90 and DPL 200

– now even easier to install

What is the reason for the update?

To make installation easier for the customer, we have made a design change for KALLER Dual Post Lifter 90 and 200. This change only applies to the shortest of the stroke lengths, 25mm.

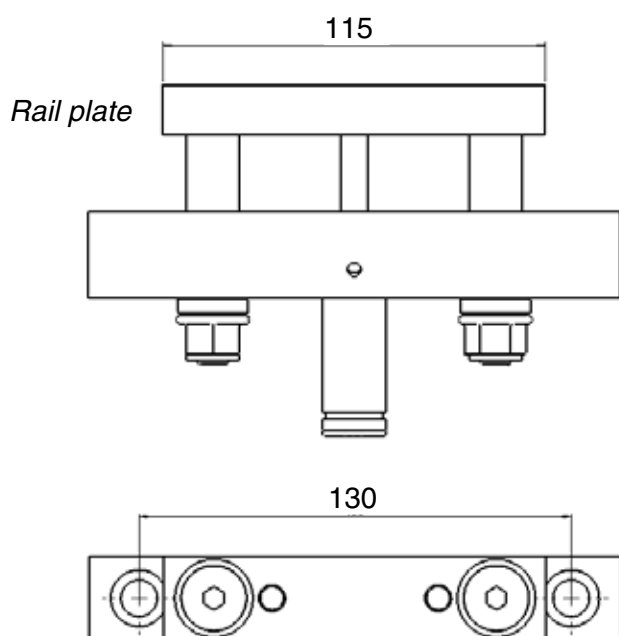
What is new?

The rail plate on the 25mm stroke has been reduced in length. This will make it easier to attach and tighten the M10/M12 assembly screws in the lower plate.

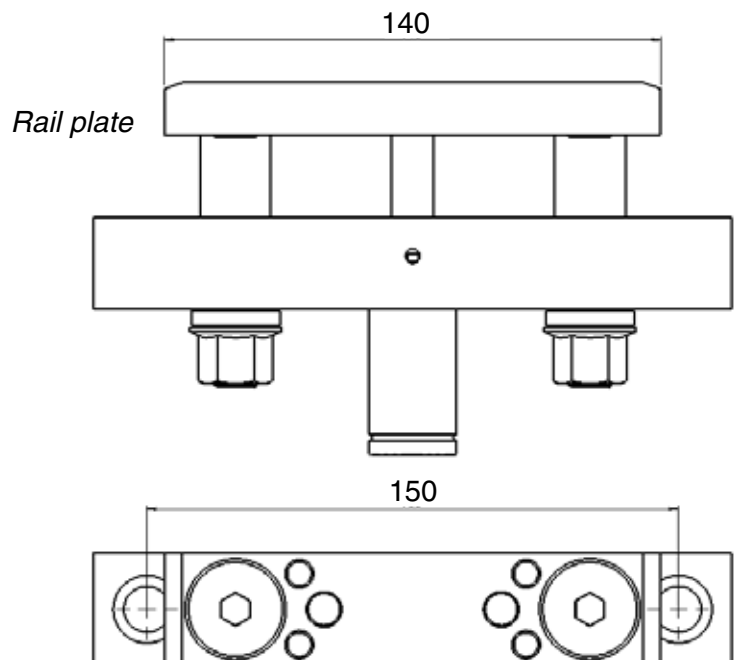
This update does not affect any other stroke lengths, they all still use the “old” rail plate.

When is the update introduced?

The update is introduced to the market w42. Orders received from 13 October, 2014 will be entered as new versions.



DPL 90-025 (2125044-0250)



DPL 200-025 (2125045-0250)