

GM Hold Down Cylinder

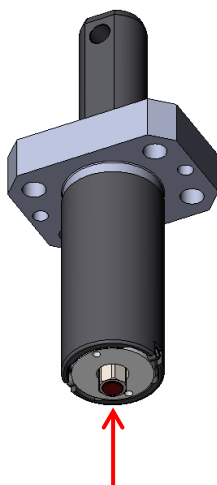
SLMG-H 170

- Updated binder hold down cylinder

Update

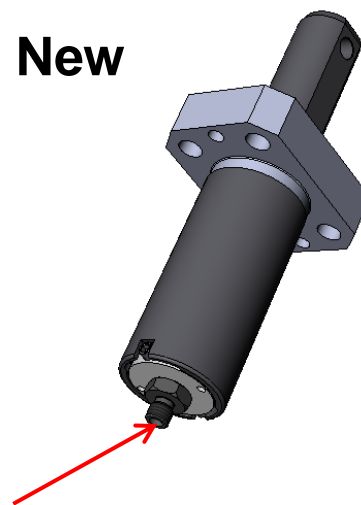
- A new bottom adapter is designed to hold the gas spring in position in case of a gas pressure drop
- The connection size is changed from M6 to M8x1 to fit Micro EO24[™] hose
- The order number SLMG-H 170 remains the same but the GMGDS code is updated to 90.35.92
- It is possible to update the earlier version with a new adapter, order number 1029871 (GMGDS code 90.35.125)
- Updated SLMG-H 170 deliveries from week 22
- See also earlier KALLER product news KPN2017-06 for further info about this product

Old



M6 hose connection

New



M8x1 for Micro EO24[™] Hose