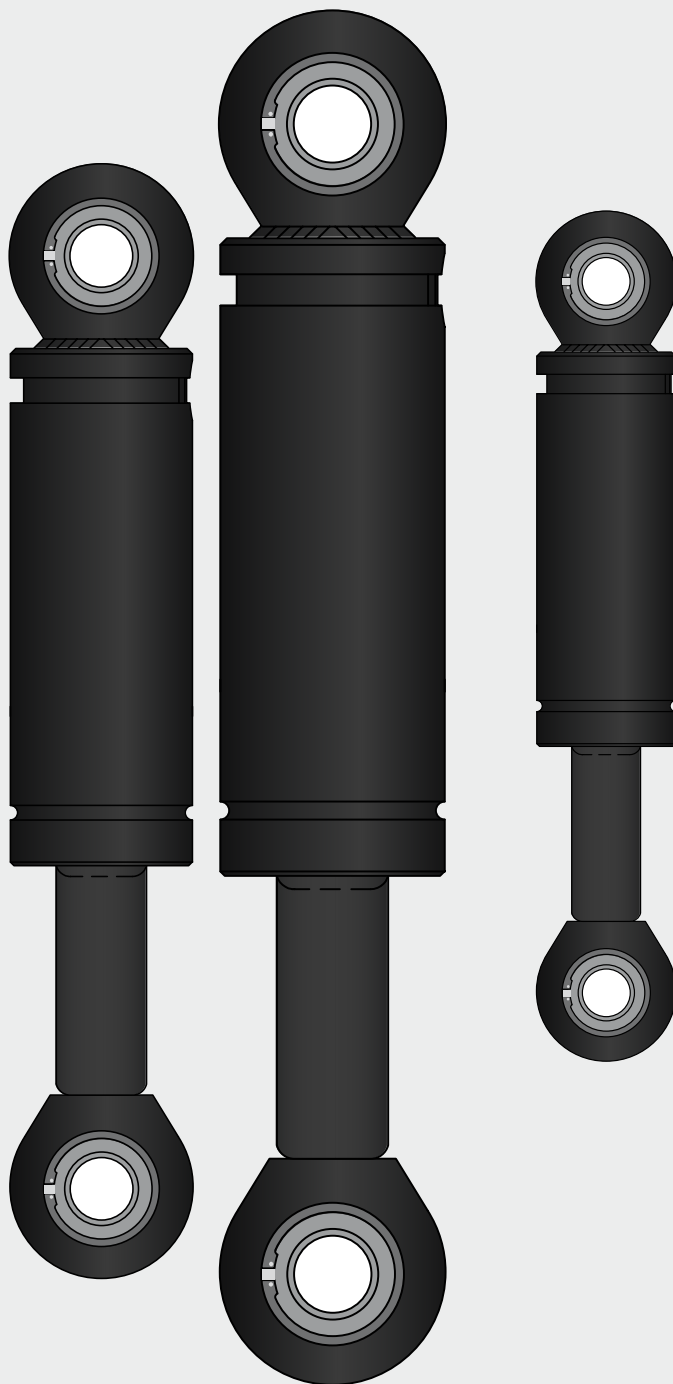


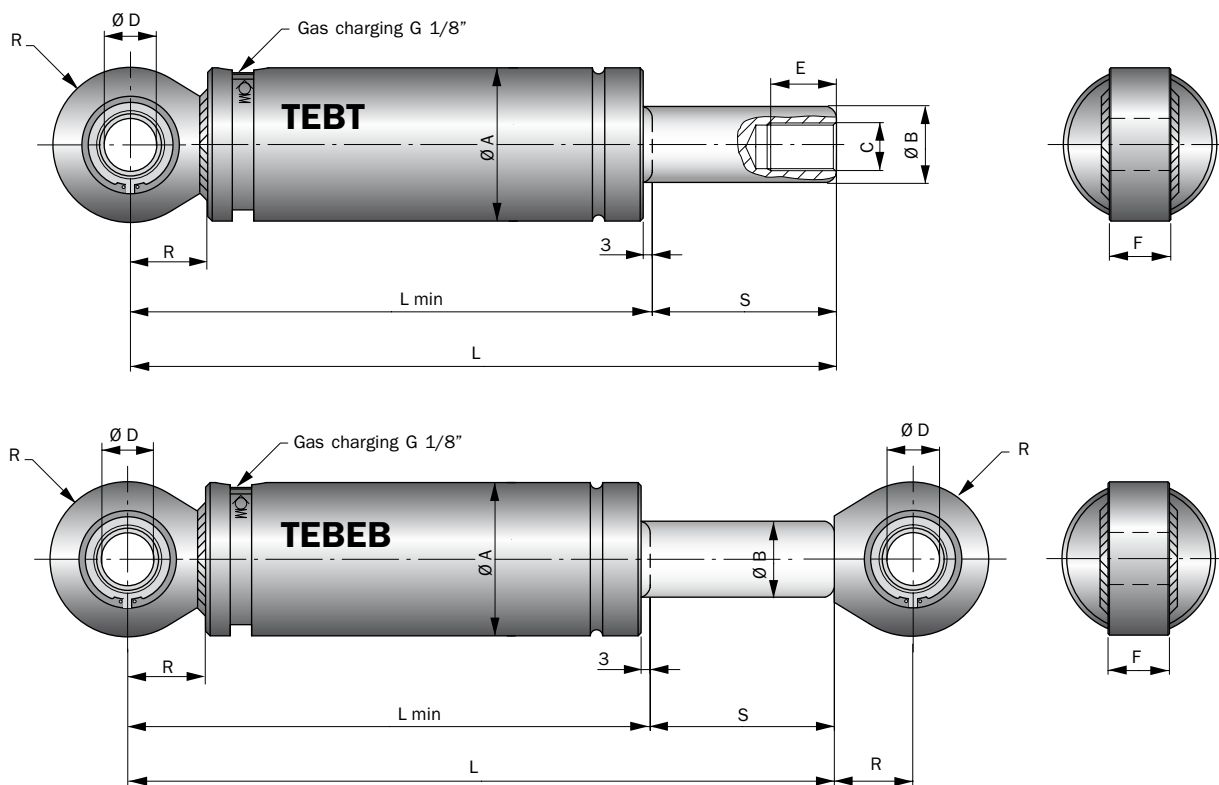
TEBT/TEBEB

750 – 5000



TEBT/TEBEB 750 – 5000

TECHNICAL FACTS



COUNTERBALANCE GAS SPRINGS WITH EXTREMELY LONG SERVICE LIFETIME

The TEBT and TEBEB are gas springs with ears for attachment, with spherical plain bearings.

The TEBT has an ear (with bearing) at the bottom of the tube, an attachment thread in the top of the piston rod.

The TEBEB has ears (with bearings) at both ends of the spring. As standard the springs are only for indoor use. If the springs are to be used outdoor, please contact your distributor for further information.

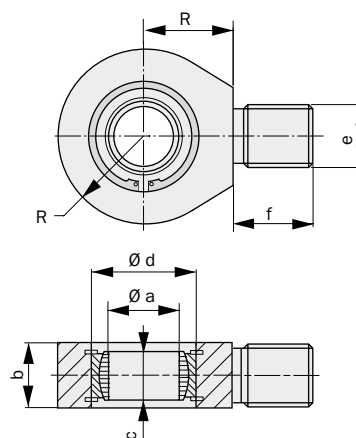
Note! The gas springs are not to be exposed to any pulling forces. If so, a mechanical stop must be installed to prevent this from happening.

BASIC INFORMATION

Pressure medium	Nitrogen
Max. charge pressure	150 bar
Min. charge pressure	25 bar
Operating temperature	0 to +80 °C
Force increase by temperature	± 0,3 % / °C
Recommended max strokes/min	~ 15-40 (at 20°C)
Max. piston rod velocity	0,8 m/s

Surface Tube	Painted black, two-component paint
Surface Rod	Nitrocarburizing with post-oxidation

DIMENSION ATTACHMENT EB



For size	Order No	Ø a	b	c	Ø e	e	f	R
750	EB-750	17	20	14	30	M16x1,5	20	25
1500	EB-150	25	25	20	42	M24x2	30	35
3000	EB-3000	30	30	22	47	M30x2	38	40
5000	EB-500	45	40	32	68	M36x2	40	55

Order No.	S Stroke	Force in N at 150 bar/+20°C		L ± 0,5	L min	Ø A ± 0,1	Ø B	C	Ø D	E	F	R	Gas vol. (l)
		Initial (l)	End force*										
TEBT/TEBEB 750-013	12,7	7400	12000	145,4	132,7	50,2	25	M16x1,5	17/20**	22	20	25	0,03
TEBT/TEBEB 750-025	25		12000	170	145								0,04
TEBT/TEBEB 750-038	38,1		12000	196,2	158,1								0,06
TEBT/TEBEB 750-050	50		12000	220	170								0,07
TEBT/TEBEB 750-064	63,5		12000	247	183,5								0,09
TEBT/TEBEB 750-080	80		12000	280	200								0,11
TEBT/TEBEB 750-100	100		12000	320	220								0,14
TEBT/TEBEB 750-125	125		12100	370	245								0,17
TEBT/TEBEB 750-160	160		12100	440	280								0,21
TEBT/TEBEB 750-200	200		12100	520	320								0,26
TEBT/TEBEB 750-250	250		12100	620	370								0,33
TEBT/TEBEB 750-300	300		12100	720	420								0,39

TEBT/TEBEB 1500-025	25	15000	23000	195	170	75,2	36	M24x2	25	32	25	35	0,10
TEBT/TEBEB 1500-038	38,1		23000	221,1	183,1								0,15
TEBT/TEBEB 1500-050	50		23000	245	195								0,18
TEBT/TEBEB 1500-064	63,5		23000	272	208,5								0,22
TEBT/TEBEB 1500-080	80		23000	305	225								0,28
TEBT/TEBEB 1500-100	100		23000	345	245								0,34
TEBT/TEBEB 1500-125	125		23000	395	270								0,42
TEBT/TEBEB 1500-160	160		23000	465	305								0,53
TEBT/TEBEB 1500-200	200		23000	545	345								0,68
TEBT/TEBEB 1500-250	250		23000	645	395								0,81
TEBT/TEBEB 1500-300	300		23000	745	445								0,96

TEBT/TEBEB 3000-025	25	30000	42000	210	185	95,2	50	M30x2	30	40	30	40	0,20
TEBT/TEBEB 3000-038	38,1		43000	236,2	198,1								0,26
TEBT/TEBEB 3000-050	50		44000	260	210								0,32
TEBT/TEBEB 3000-064	63,5		45000	287	223,5								0,38
TEBT/TEBEB 3000-080	80		46000	320	240								0,46
TEBT/TEBEB 3000-100	100		47000	360	260								0,56
TEBT/TEBEB 3000-125	125		47000	410	285								0,69
TEBT/TEBEB 3000-160	160		47000	480	320								0,87
TEBT/TEBEB 3000-200	200		48000	560	360								1,07
TEBT/TEBEB 3000-250	250		48000	660	410								1,32
TEBT/TEBEB 3000-300	300		48000	760	460								1,57

TEBT/TEBEB 5000-025	25	50000	71000	245	220	120,2	65	M36x2	45	43	40	55	0,32
TEBT/TEBEB 5000-038	38,1		75000	271,2	233,1								0,42
TEBT/TEBEB 5000-050	50		77000	295	245								0,51
TEBT/TEBEB 5000-064	63,5		80000	322	258,5								0,60
TEBT/TEBEB 5000-080	80		81000	355	275								0,73
TEBT/TEBEB 5000-100	100		82000	395	295								0,89
TEBT/TEBEB 5000-125	125		82000	445	320								1,09
TEBT/TEBEB 5000-160	160		83000	515	355								1,36
TEBT/TEBEB 5000-200	200		84000	595	395								1,68
TEBT/TEBEB 5000-250	250		84000	695	445								2,07
TEBT/TEBEB 5000-300	300		84000	795	495								2,46

* = at full stroke

** = spherical plain bearings available in two dimensions

How to order: order@kaller.com/+46 140 570 40

WELCOME TO KALLER. THE SAFER CHOICE.

Welcome to KALLER, the world-leading brand for gas springs and gas hydraulic systems for stamping dies – as well as gas hydraulic suspension systems for heavy duty off-road vehicles.

With innovation as our driving force, we have developed and refined the nitrogen gas spring technology since 1983.

At KALLER we are constantly solving problems and increasing our customers' productivity. When providing innovative solutions for the safer working environment, we do so with Training, Safety and Reliability as our top priority. That's why KALLER is not only the world-leading gas spring provider, it's why we're The Safer Choice.



P.O. Box 216,
SE-573 23 Tranås, Sweden

Visiting Address:
Verkstadsgatan 16, Tranås

Phone +46 140 571 00
Fax +46 140 571 99
Email info@kaller.com

www.kaller.com



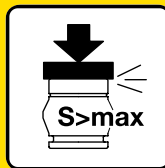
KALLER Training Program

TRAINING. Without doubt the KALLER Training Program is the best and most creative way to fully understand and appreciate the importance of the safety and reliability features.



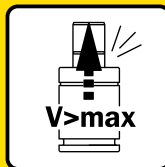
KALLER Safety App

SAFETY. Fake or KALLER original? With the KALLER Safety App you can identify and verify your specific KALLER gas springs.



Overstroke Protection System

SAFETY. When a gas spring is overstroked, this helps reduce the risk of tool damage or injury.



Overload Protection System

SAFETY. Jammed cam or tool part being forced by gas springs? This will help reducing such risks.



Overpressure Protection System

SAFETY. Vents the spring if the internal gas pressure exceeds the maximum allowable limit to prevent accidents.



PED approved for 2 million strokes

RELIABILITY. Our 2 million stroke PED approval ensures safer component cycle life.



Flex Guide™ System

RELIABILITY. Prolongs service life, allows more strokes per minute, and offers greater tolerance to lateral tool movements.



Dual Seal™ Link Systems

RELIABILITY. Fewer production interruptions due to leakage caused by vibration. Simplified installation thanks to the non-rotation feature.