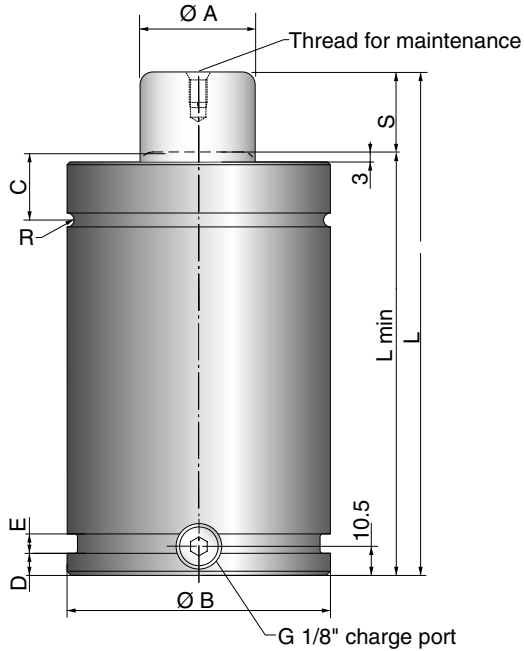


**KALLER®**

High Speed Series
TUS 750 to TUS 7500

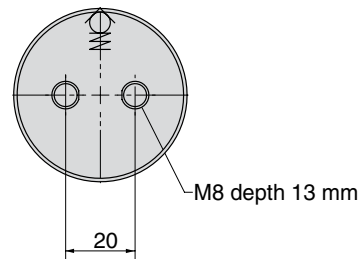
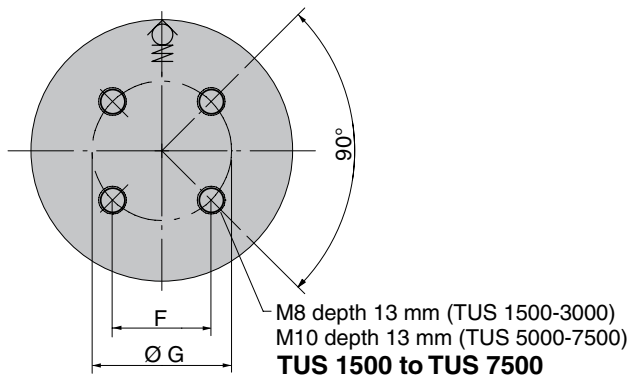
High Speed Series, TUS 750 to TUS 7500



The TUS series is designed to meet one of the demands facing the metal forming industry today, increasing press speeds. To increase productivity, press speeds are being increased, especially return press speeds. This will also effect the gas spring, which is why we are now launching our new TUS series.

Features:

- Max piston rod velocity 2 m/s
- Initial forces from 750 to 7500 daN
- Stroke lengths up to 300 mm
- Over-Stroke Protection System (patented)
- Over-Load Protection System (patented)
- Upper C-groove, lower U-groove and bottom threaded holes allow for various standard mounting possibilities
- Dimensions according to the ISO 11901 standard for gas spring



Model	Spring force in N at 150 bar/ + 20° C		Ø A	Ø B	C	D	E	F	Ø G	R
	Initial	End force *								
TUS 750	7400	12100	25	50.2	17.5	8	7	20	--	2
TUS 1500	15000	23000	36	75.2	21	8	7	28.3	40	2.5
TUS 3000	30000	47000	50	95.2	24	8	7	42.4	60	2.5
TUS 5000	50000	82000	65	120.2	25.5	8	7	56.6	80	2.5
TUS 7500	75000	121000	80	150.2	27.5	8	8	70.7	100	2.5

* At full stroke

We reserve the right to add, delete or modify components without notification.

All dimensions are stated in mm.
All dimensions are nominal unless tolerance is stated.

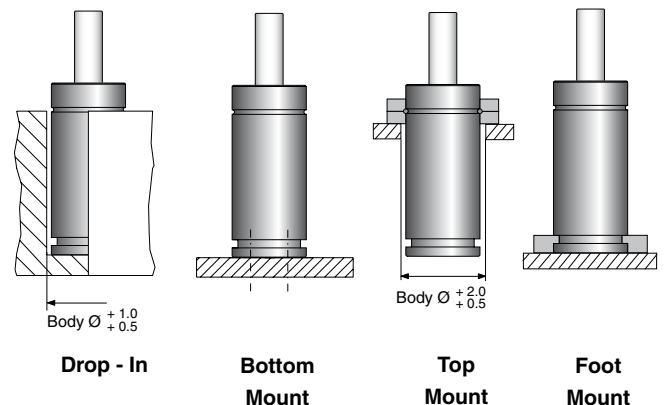
Dimensions

Model \ Stroke		25	50	80	100	125	160	200	250	300
TUS 750	L	145	195	255	295	345	415	495	595	695
	L min	120	145	175	195	220	255	295	345	395
TUS 1500	L	160	210	270	310	360	430	510	610	710
	L min	135	160	190	210	235	270	310	360	410
TUS 3000	L	170	220	280	320	370	440	520	620	720
	L min	145	170	200	220	245	280	320	370	420
TUS 5000	L	190	240	300	340	390	460	540	640	740
	L min	165	190	220	240	265	300	340	390	440
TUS 7500	L	205	255	315	355	405	475	555	655	755
	L min	180	205	235	255	280	315	355	405	455

Basic Information

Pressure medium	Nitrogen
Max. charge pressure	150 bar (at 20° C)
Min. charge pressure	25 bar (at 20° C)
Operating temperature	0 to +80°C
Force increase by temperature	±0.3%/°C
Recommended max strokes/min	~ 15 -100 (at 20° C)
Max piston rod velocity	2.0 m/s
Repair Kit	Available for all models

Mounting Possibilities



We reserve the right to add, delete or modify components without notification.

All dimensions are stated in mm.
All dimensions are nominal unless tolerance is stated.

KALLER[®]

The Safer Choice

- 1** **ABOUT THE COMPANY**
- 2** **GAS SPRINGS INCLUDING STANDARD MOUNTS**
- 3** **SPECIAL MOUNTS**
- 4** **HOSE SYSTEM**
- 5** **NITRO SUSPENSION SYSTEMS**
- 6** **COUNTERBALANCE SYSTEMS**
- 7** **SPECIAL APPLICATIONS**
- 8** **SERVICE AND MAINTENANCE**
- 9** **PIERCING AND FORMING UNITS / CAMS**
- 10** **CONTROLLABLE GAS SPRINGS**



For more information see our website
www.kaller.com