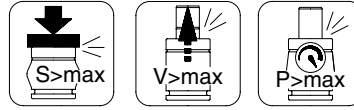




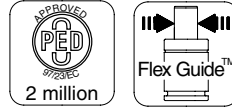
Power Line, XG 350 to XG 6600

The XG-series are short and our most powerful Piston Rod Sealed gas springs, giving you a great deal of force in a very small amount of space.

Safety Features



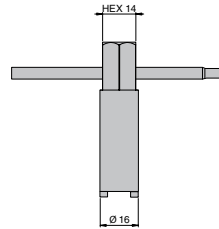
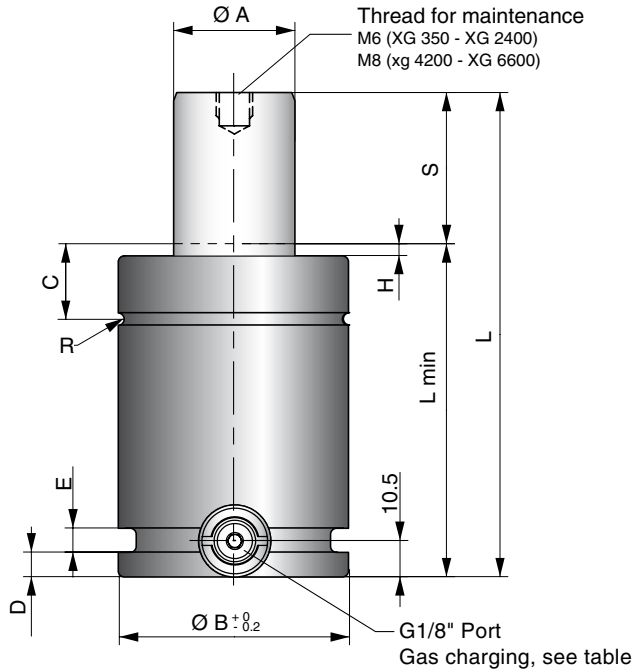
Reliability Features



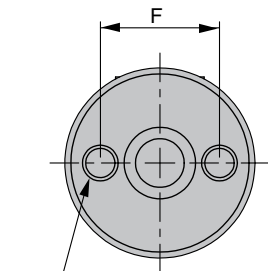
Additional information at www.kaller.com/FAQ

Performance and Design Features

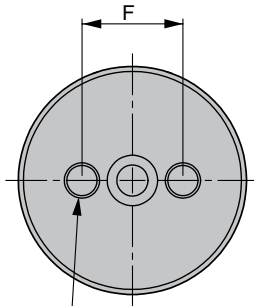
- Initial forces from 3500 N up to 66000 N
- Stroke lengths between 10 and 125 mm.
- Side G 1/8" ports for Hose-system connection
- Upper C-groove, lower U-groove.



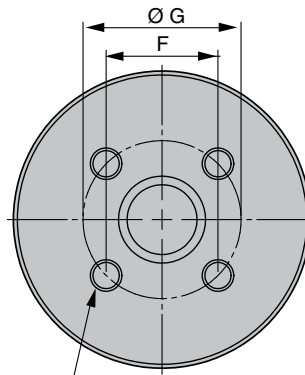
Valve Plug Installation Tool,
XG 350 - XG 750
Order No. 3022974



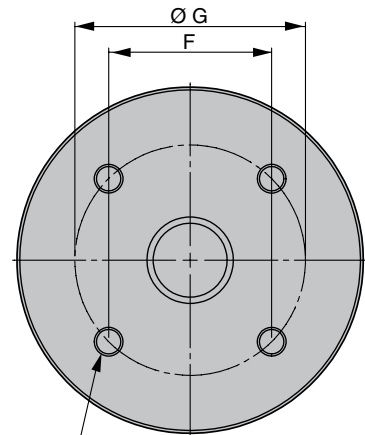
M6 (2x) depth 15 mm
(XG 350 - XG 500)



M8 (2x) depth 16 mm
(XG 750 - XG 1500)



M8 (4x) depth 16 mm
(XG 2400 - XG 4200)



M10 (4x) depth 15 mm
(XG 6600)

Model	Spring force in N at 150* bar/ + 20° C		Ø A	Ø B	C	D	E	F	Ø G	H	R	Gas charging
	Initial	End force **										
XG 350	3600	5500	16	32	12.5	4	3.5	20	--	2	1	M6
XG 500	4700	7200	20	38	12.5	4	4	25	--	2	1	M6
XG 750	7400	12000	25	45.2	15.5	4	4	20	--	2	1	M6
XG 1000	9200	14000	28	50.2	15.5	8	7	20	--	3	2	G1/8"
XG 1500	15000	24000	36	63.2	19	8	7	20	--	3	2	G1/8"
XG 2400	24000	38000	45	75.2	21	8	7	28.3	40	3	2.5	G1/8"
XG 4200	42000	66000	60	95.2	24	8	7	42.4	60	3	2.5	G1/8"
XG 6600	66300	99000	75	120.2	25.5	8	7	56.6	80	3	2.5	G1/8"

* For XG 350 = 180 bar
** At full stroke

Power Line, XG 350 to XG 6600

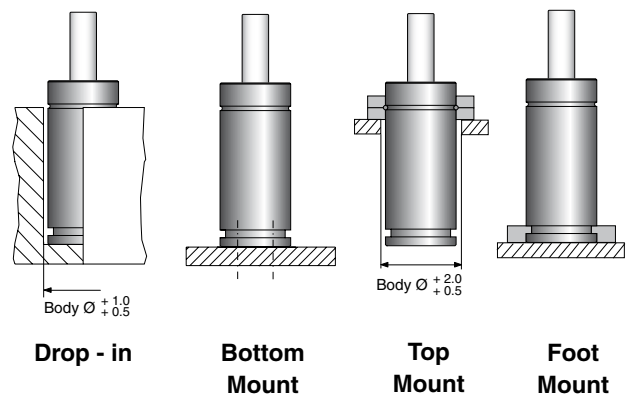
Model \ Stroke		Stroke													
		10	13	16	19	25	32	38	50	63	75	80	100	125	
XG 350	L	60	66	72	78	90	104	116	140	166	190	200	240	290	
	L min	50	53	56	59	65	72	78	90	103	115	120	140	165	
XG 500	L	60	66	72	78	90	104	116	140	166	190	200	240	290	
	L min	50	53	56	59	65	72	78	90	103	115	120	140	165	
XG 750	L	67	73	79	85	97	111	123	147	173	197	207	247	297	
	L min	57	60	63	66	72	79	85	97	110	122	127	147	172	
XG 1000	L	--	78	84	90	102	116	128	152	178	202	212	252	302	
	L min	--	65	68	71	77	84	90	102	115	127	132	152	177	
XG 1500	L	--	78	84	90	102	116	128	152	178	202	212	252	302	
	L min	--	65	68	71	77	84	90	102	115	127	132	152	177	
XG 2400	L	--	--	91	97	109	123	135	159	185	209	219	259	309	
	L min	--	--	75	78	84	91	97	109	122	134	139	159	184	
XG 4200	L	--	--	94	100	112	126	138	162	188	212	222	262	312	
	L min	--	--	78	81	87	94	100	112	125	137	142	162	187	
XG 6600	L	--	--	104	110	122	136	148	172	198	222	232	272	322	
	L min	--	--	88	91	97	104	110	122	135	147	152	172	197	

Basic Information

Pressure mediumNitrogen
 Max. charge pressure150 bar (at 20° C)
 Max. charge pressure (only XG 350) 180 bar (at 20° C)
 Min. charge pressure25 bar (at 20° C)
 Operating temperature0 to +80°C
 Force increase by temperature±0.3%/°C
 Recommended max strokes/min~ 30 -100 (at 20° C)
 Max piston rod velocity1.6 m/s

Rod surfaceNitrided
 Tube surfaceBlack oxide
 Repair Kit.....Available

Mounting Possibilities



We reserve the right to add, delete or modify components without notification.

All dimensions are stated in mm.
All dimensions are nominal unless tolerance is stated.

KALLER[®]

The Safer Choice

- 1** ABOUT THE COMPANY
- 2** GAS SPRINGS INCLUDING STANDARD MOUNTS
- 3** SPECIAL MOUNTS
- 4** GAS LINK SYSTEM
- 5** PROBLEM SOLVERS AND ACCESSORIES
- 6** LIFTERS
- 7** MACHINE AND VEHICLES
- 8** SERVICE AND MAINTENANCE
- 9** PIERCING AND FORMING UNITS / CAMS
- 10** CONTROLLABLE GAS SPRINGS

