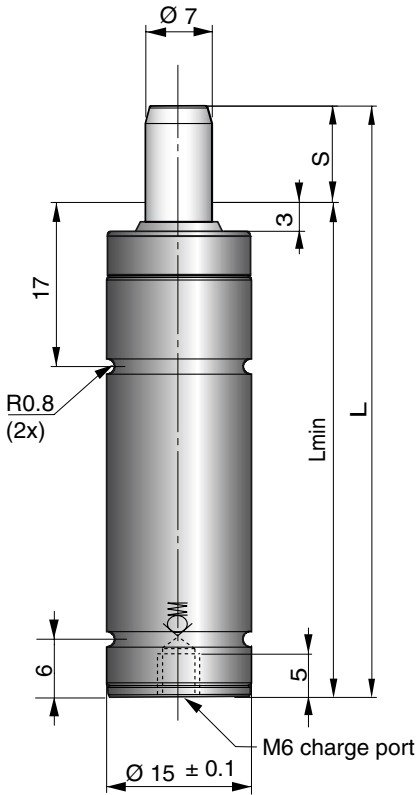




Gas Spring R15

Gas Spring R15



An upper C-groove together with the threaded bottom hole, allows various mounting possibilities for the R15.

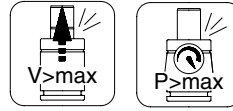
How to order

Model: R15 — **R15 - 7 Red**

Stroke Length (mm) (7, 10, 12.7, 15, 19, 25, 38.1, 50, 63.5, 75, 80, 100, 125)

Force: Green
Blue
Red
Yellow
Black, state desired force in N

Safety Features



Reliability Feature



Additional information at www.kaller.com/FAQ

Performance and Design Features

- Low force increase
- Adjustable force, four preset models and one customer specified model (black)
- Powerful initial force
- Long service life, 50,000 stroke meters or 500,000 strokes
- The KALLER R15 can replace a 5/8" coil spring
- R15 can be hosed or piped together using the M6 charge port

Model	Initial Force in N at + 20°C	Color	Charging pressure (bar)
R15	180	Green	45
R15	350	Blue	90
R15	500	Red	135
R15	700	Yellow	180
R15 XX*	80-700	Black	20-180

*Force to be set by the end user. Delivered with a pre-charge of 5 bar.

S Stroke	End force in N at + 20°C at full stroke				L ±0.25	L min	Gas vol. (l)	Weight (kg)
	R15	R15	R15	R15				
7	216	432	648	865	56	49	0.001	0.05
10	224	447	671	895	62	52	0.001	0.05
12.7	228	457	685	914	67.4	54.7	0.001	0.05
15	232	463	695	927	72	57	0.002	0.05
19	236	471	707	943	80	61	0.002	0.06
25	240	480	720	961	92	67	0.002	0.06
38.1	258	516	774	1032	118.2	80.1	0.003	0.07
50	258	516	774	1033	142	92	0.004	0.08
63.5	273	546	819	1092	172	108.5	0.005	0.09
75	270	541	811	1082	195	120	0.006	0.10
80	270	539	809	1079	205	125	0.006	0.11
100	267	534	802	1069	245	145	0.008	0.12
125	265	531	796	1062	295	170	0.010	0.14

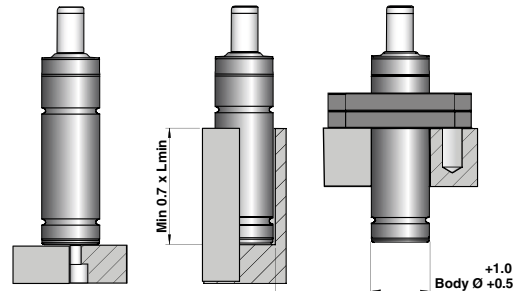
Basic Information

For more information, see "About gas springs" Ch. 2.1 in the main catalogue.

Pressure medium Nitrogen
 Max. charging pressure 180 bar (at 20°)
 Min. charging pressure 20 bar (at 20°)
 Operating temperature 0 to +80°C
 Force increase by temperature..... ±0.3%/°C
 Recommended max strokes/min ~100-150 (at 20°C)
 Max piston rod velocity 1.6 m/s

Rod surface Nitrided
 Tube surface Black oxide
 Repair Kit Non-repairable

Mounting Possibilities



Base Mount
B
 only to be used for strokes 7-25 mm

Drop - In

Top Mount
FCR-15

We reserve the right to add, delete or modify components without notification.

All dimensions are stated in mm.
 All dimensions are nominal unless tolerance is stated.