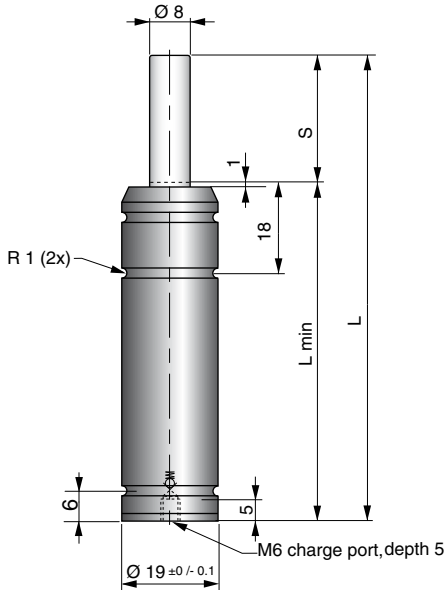




Gas Spring R19

Gas Spring R19



How to order

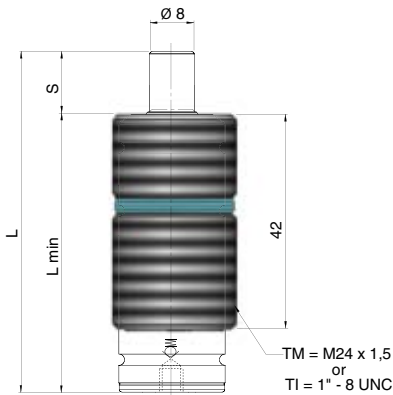
R19 30 - 7

Model: R19

Stroke Length (mm)

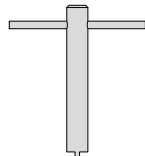
Force: 30 = Green
50 = Blue
70 = Red
90 = Yellow
XXX = Black, state desired force in daN

(7, 10, 15, 25, 38.1, 50, 63.5, 80, 100, 125)



TM sleeve, M24 x 1.5
Order No. 3020615-M24

TI sleeve, UNC 1" - 8
Order No. 3020615-UNC1



Installation Tool
for threaded sleeve
Order No. 3020618

- R19 Gas Springs are available in four preset models. Each spring is colour-coded for easy identification of force rating.
- We also offer a model (black) that can be customised to meet individual force requirements. This model can be factory charged to a desired pressure or by customers with charging equipment.
- It is possible to adjust the gas pressure on all R19 models, but it cannot be rebuilt as the spring body is roll formed around the internal components.
- The M6 thread in the base of the spring is used for gas charging and is also a mounting option for shorter lengths.
- The TM/TI Sleeve can be ordered separately.

Model	Initial Force in N at + 20°C	Colour	Charging pressure (bar)
R19 30	300	Green	60
R19 50	500	Blue	100
R19 70	700	Red	140
R19 90	900	Yellow	180
R19 XX*	225-900	Black	25-180

*Adjustable version allowing gas pressure both to be raised and lowered between 25 and 180 bar. State desired initial force in daN. If the spring should be delivered uncharged, please state zero force.

S Stroke	End force in N at + 20°C, at full stroke				L ±0.25	L min	Gas vol. (l)	Weight (kg)
	R19 30	R19 50	R19 70	R19 90				
7	530	880	1200	1600	56	49	0.003	0.07
10	470	780	1100	1400	62	52	0.003	0.08
15	440	730	1000	1300	72	57	0.004	0.08
25	420	700	980	1300	92	67	0.006	0.08
38.1	410	690	970	1200	118.2	80.1	0.009	0.10
50	410	680	960	1200	142	92	0.011	0.12
63.5	410	680	950	1200	169	105.5	0.014	0.13
80	410	680	950	1200	205	122	0.018	0.14
100	410	670	940	1200	245	145	0.022	0.17
125	410	670	940	1200	295	170	0.027	0.20

for stroke lengths < 50 mm: total length L = 42 + (2 x Stroke)

for stroke lengths > 50 mm: total length L = 45 + (2 x Stroke)

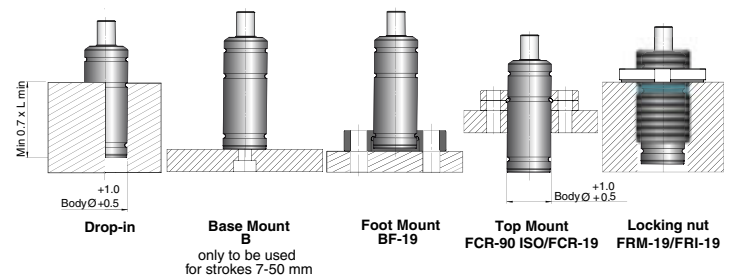
Basic Information

For more information, see "About gas springs"
Ch. 2.1 in the main catalogue.

Pressure medium Nitrogen
Max. charging pressure..... 180 bar (at 20°)
Min. charging pressure 25 bar (at 20°)
Operating temperature 0 to +80°C
Force increase by temperature..... ±0.3%/°C
Recommended max strokes/min ~100-150 (at 20°C)
Max piston rod velocity 1.6 m/s

Rod surface Nitrided
Tube surface Black oxide
Repair Kit..... Non-repairable

Mounting Possibilities



We reserve the right to add, delete or modify components without notification.

All dimensions are stated in mm.
All dimensions are nominal unless tolerance is stated.